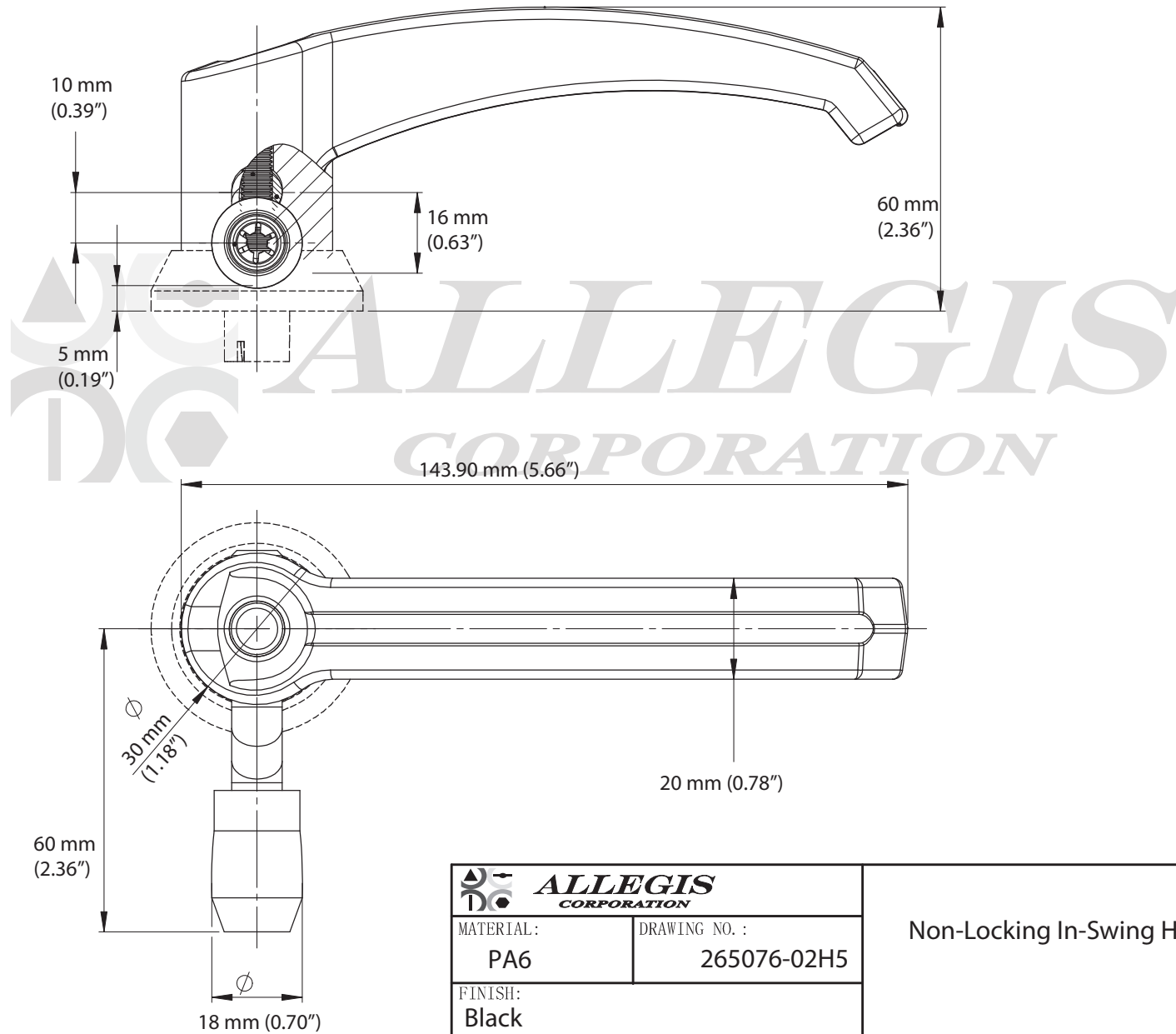



APPROVAL - CUSTOMER NAME & SIGNATURE

DATE



| | |
|---|------------------------------|
|  ALLEGRIS CORPORATION | |
| MATERIAL: PA6 | DRAWING NO. : 265076-02H5 |
| FINISH: Black | |
| REV. : 1 : 2 | DATE: 1-10-2013 |

Non-Locking In-Swing Handle